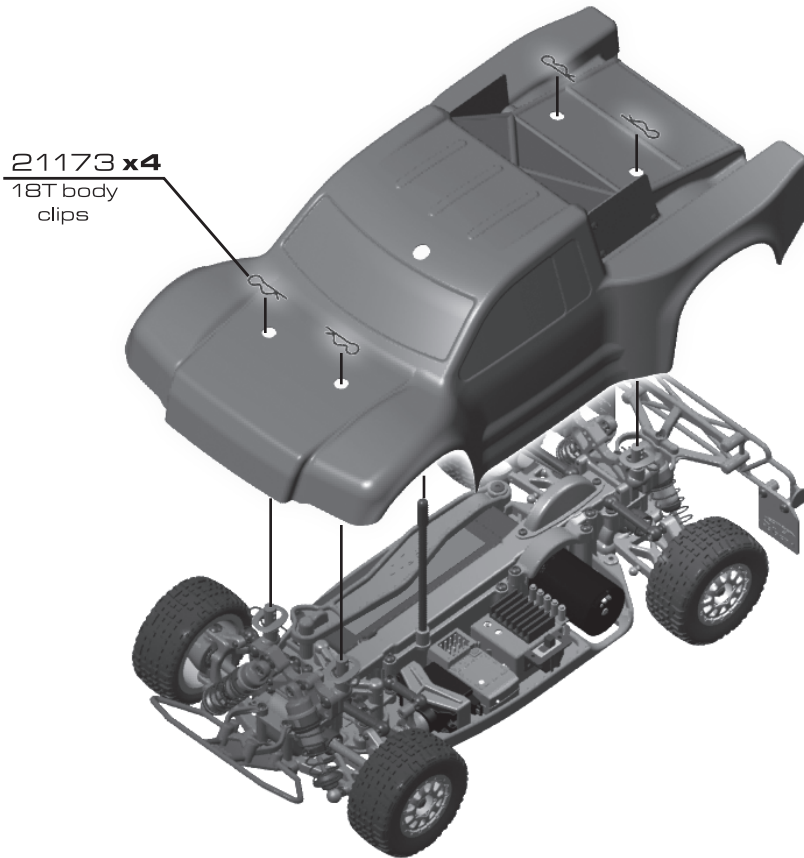


:: Body Install (cont.)

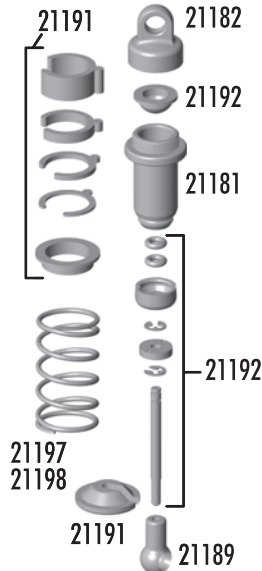
STEP 2



21173 x4
18T body clips

:: Shocks

21181	Shock Body, front, (fr & rr)	Pr.
21182	Shock Caps	4
21184	Shock Kit, front, (fr & rr)	Pr.
21189	Ballcaps, short	12
21191	Shock Accessories	Set
21192	Shock Rebuild Kit, rebuilds 4 shocks	Set
21197	Shock Spring, silver, 2.55 lb/in (Kit)	Pr.
21198	Shock Spring, blue, 3.0 lb/in (Kit)	Pr.
21199	Shock Spring, gold, 3.45 lb/in	Pr.



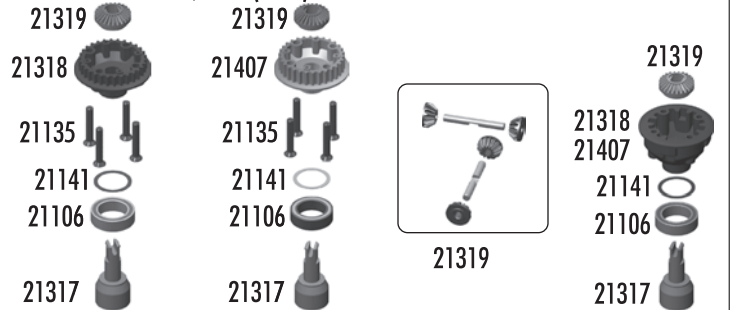
:: Shock Oil

5420	10 Weight Silicone Shock Oil	2oz.
5421	20 Weight Silicone Shock Oil	2oz.
5422	30 Weight Silicone Shock Oil	2oz.
5423	40 Weight Silicone Shock Oil	2oz.
5425	80 Weight Silicone Shock Oil	2oz.
5427	15 Weight Silicone Shock Oil	2oz.
5428	25 Weight Silicone Shock Oil	2oz.
5429	35 Weight Silicone Shock Oil	2oz.
5430	45 Weight Silicone Shock Oil	2oz.
5431	55 Weight Silicone Shock Oil	2oz.
5435	50 Weight Silicone Shock Oil	2oz.
5436	60 Weight Silicone Shock Oil	2oz.
5437	70 Weight Silicone Shock Oil	2oz.



:: Gear Differential

21106	Bearings, 8x12x3.5mm rubber sealed	Pr.
21135	M2x12mmFHPS	20
21141	Shim Set, .324x.409x.005	4
21317	Gear Diff Outdrives	2
21318	Gear Diff Case, Front (narrow)	Set
21319	Internal Diff Gears	Set
21335	Complete Gear Diff, Front	1
21406	Complete Gear Diff, Rear	1
21407	Gear Diff Case, Rear (wide)	Set



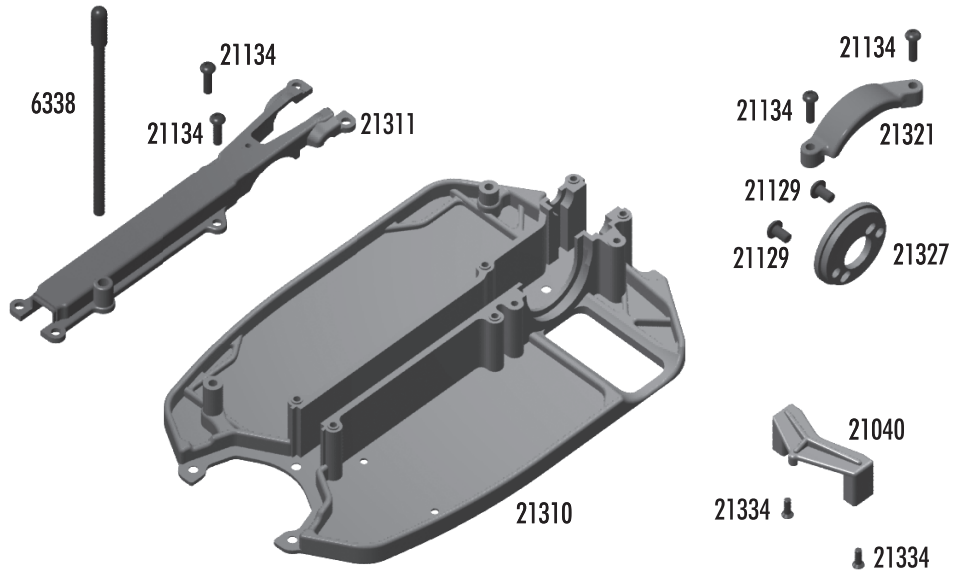
:: Lubes and Adhesives

1105	Green Slime Shock Lube	4cc
1596	FT Locking Compound	10ml
6588	Black Grease	4cc
6591	Diff Lube	4cc
6636	Silicone Grease	4cc
6727	Servo Tape Strips	2



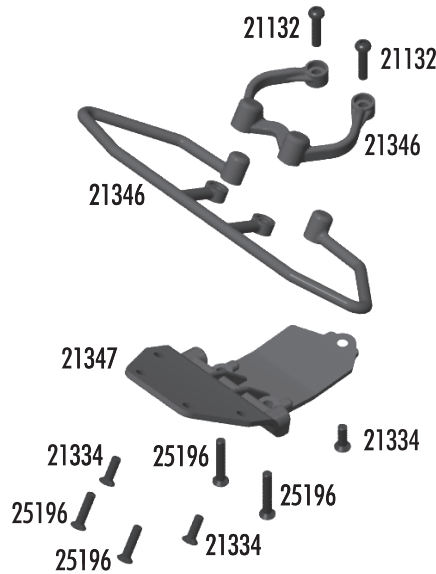
:: Chassis

6338	Antenna tube and cap, 12"	1
21040	Servo Mount	1
21129	M3x5mm BHPS, (motor screws)	20
21134	M2.5x9 BHPS	20
21310	Chassis	1
21311	Center Top Plate	1
21321	Motor Mount Clamp	1
21327	Motor Mount	1
21334	M2x6mm FHPS	20



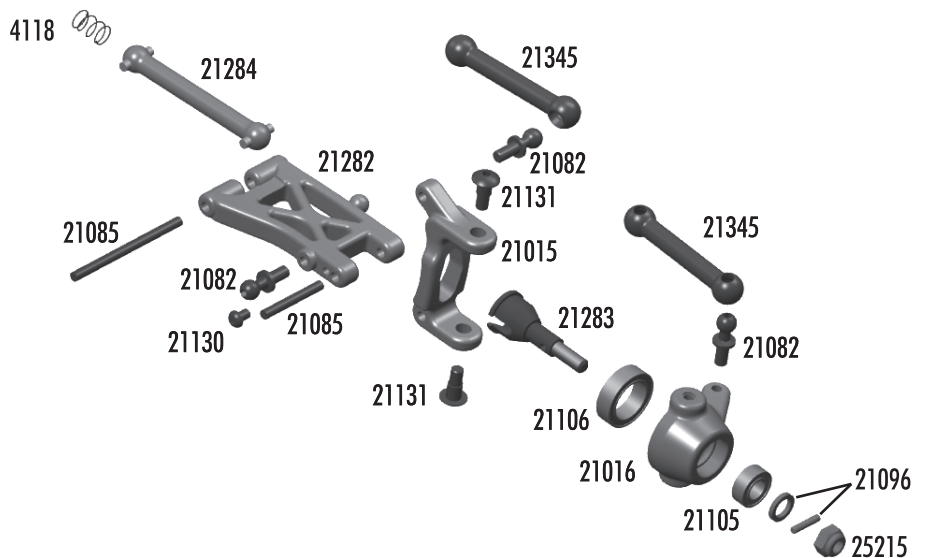
:: Front Bumper

21132	M2x9mm BHPS	20
21334	M2x6mm FHPS	20
21346	SC18 Front Bumper / Brace	Set
21347	SC18 Arm Mounts FR / RR	Set
25196	M2x8mm FHPS	20



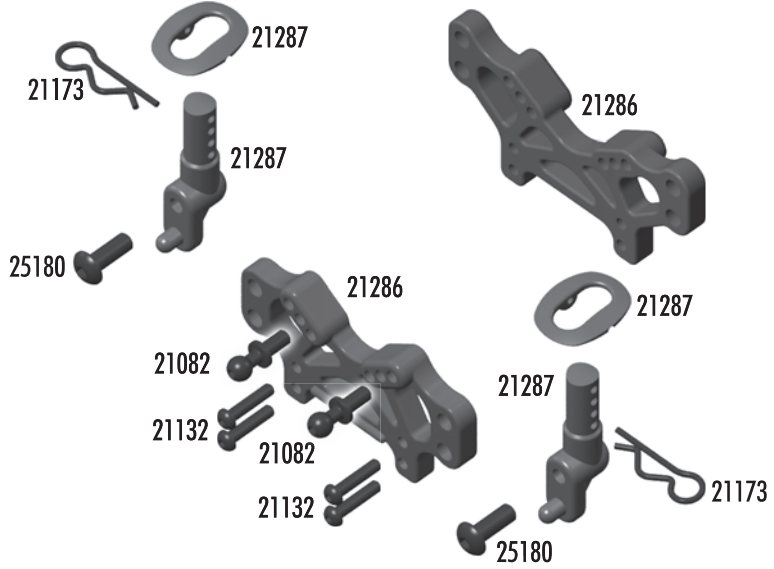
:: Front Arms

4118	.014 Springs	2
21015	Left or Right Caster Blocks	Pr.
21016	Steering Blocks	Pr.
21082	Ballstud Set, Two 8mm and nine 5mm	Set
21085	Hinge Pin Set	Set
21096	Stub Axle Pins & Spacers	Set
21105	Bearings, 4x8x3mm rubber sealed	2
21106	Bearings, 8x12x3.5mm rubber sealed	2
21130	M2x3mm BHPS	20
21131	M2.5x3mm BHPS	4
21282	18R / SC18 Front / Rear Arms	Pr.
21283	18R / SC18 Stub Axles	Pr.
21284	18R / SC18 Dogbones & Springs	Pr.
21345	SC18 Molded Tie Rod Links	Set
25215	M3 Locknut	20



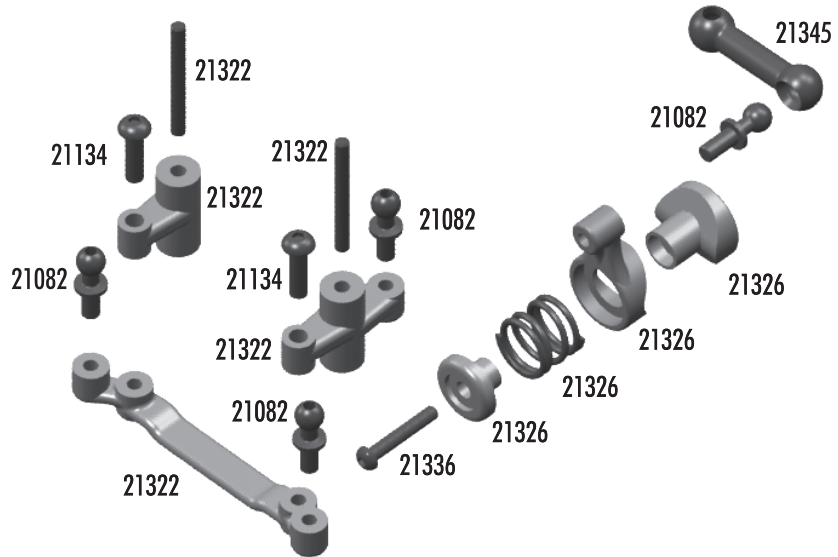
:: FR / RR Shock Towers

21082	Ballstud Set, Two 8mm and Nine 5mm	Set
21132	M2x9mm BHPS	20
21173	18T Body Clips	12
21286	18R / SC18 FR/RR Shock Towers	Set
21287	18R / SC18 Body Mounts, includes 4 body posts, 4 swivels, 4 screws	Set
25180	M3x8mm BHPS	20



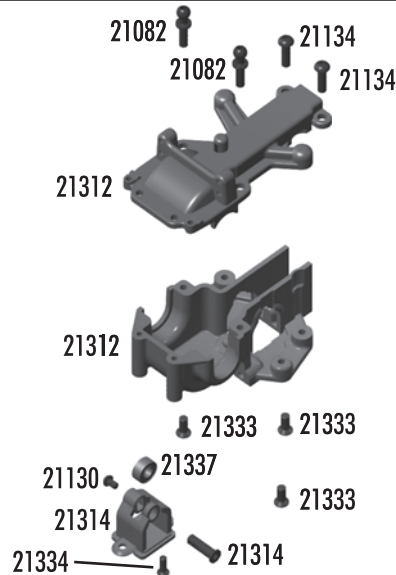
:: Steering

21082	Ballstud Set, Two 8mm and Nine 5mm	Set
21134	M2.5x9mm BHPS	20
21322	Steering Rack / Bellcrank	Set
21326	Servo Saver / Horns	Set
21336	M2x12mm BHPS	20
21345	SC18 Molded Tie Rod Links	Set



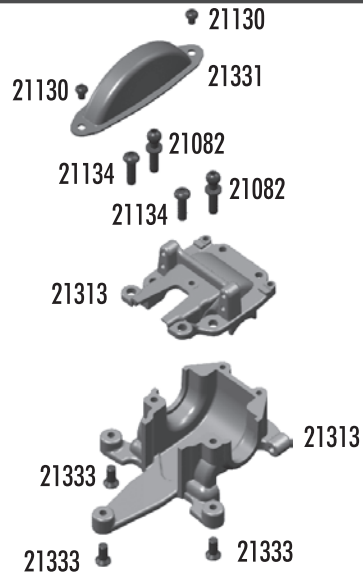
:: Front Gearbox

21082	Ballstud Set, Two 8mm and Nine 5mm	Set
21130	M2x3mm BHPS	20
21134	M2.5x9mm BHPS	20
21312	Front Gearbox	Set
21314	Belt Tensioner	Set
21333	M2.5x6mm FHPS	20
21334	M2x6mm FHPS	20
21337	Bearing 3x6x2.5mm	2



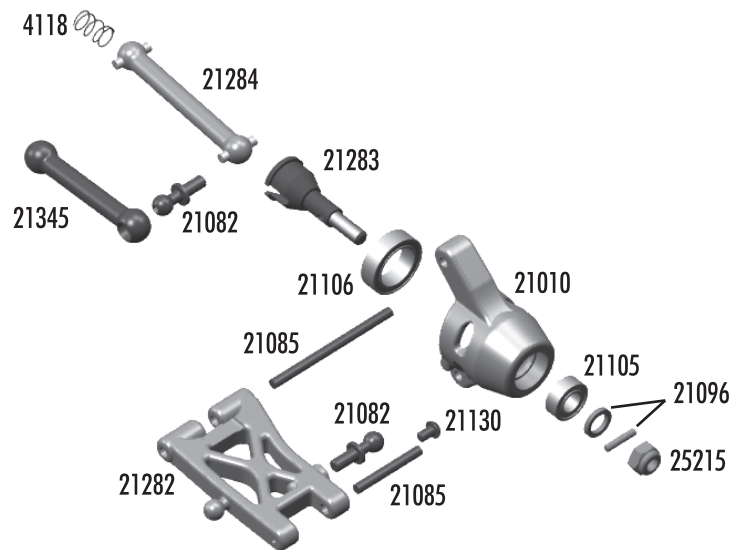
:: Rear Gearbox

21082	Ballstud Set, Two 8mm and Nine 5mm	Set
21130	M2x3mm BHPS	
21134	M2.5x9mm BHPS	
21313	Rear Gearbox	
21331	Spur Gear Cover	
21333	M2.5x6mm FHPS	



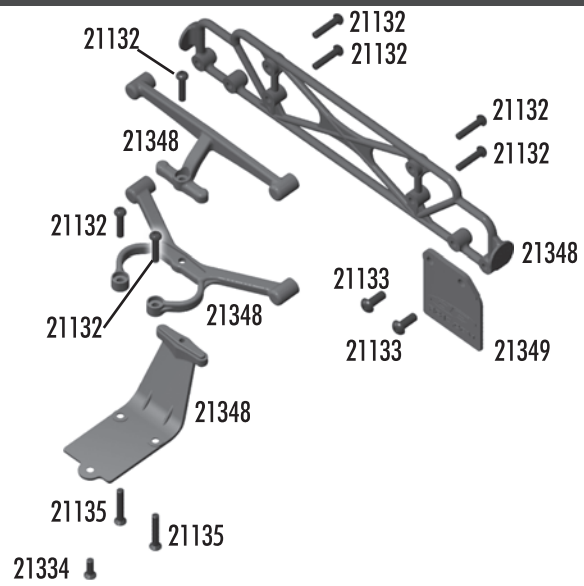
:: Rear Arms

4118	.014 Springs	2
21010	Rear Hubs	Pr.
21082	Ballstud Set, Two 8mm and Nine 5mm	Set
21085	Hinge Pin Set	Set
21096	Stub Axle Pins & Spacers	Set
21105	Bearings, 4x8x3mm	2
21106	Bearings, 8x12x3.5mm	2
21130	M2x3mm BHPS	20
21282	18R / SC18 Front / Rear Arms	Pr.
21283	18R / SC18 Stub Axles	Pr.
21284	18R / SC18 Dogbones & Springs	Pr.
21345	SC18 Molded Tie Rod Links	Set
25215	M3 Locknuts	20



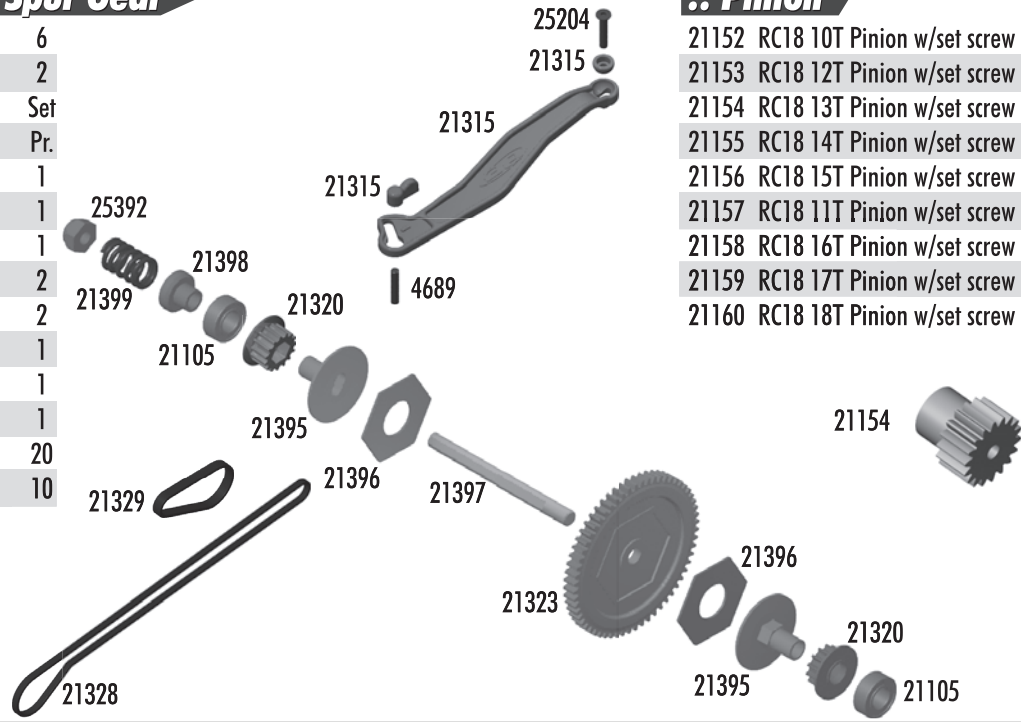
:: Rear Bumper

21132	M2x9mm BHPS	20
21133	M2.5x6mm BHPS	20
21135	M2x12mm FHPS	20
21334	M2x6mm FHPS	20
21348	SC18 Rear Bumper / Brace / Skid Plate	Set
21349	SC18 Mud Flaps	Pr.



:: Battery Strap / Belts / Spur Gear

4689	M3x16mm Set Screw	6
21105	Bearings, 4x8x3mm rubber sealed	2
21315	Battery Strap	Set
21320	Spur Gear Pulley Set	Pr.
21323	Spur Gear (60T) Kit	1
21328	Front Belt	1
21329	Rear Belt	1
21395	FT Slipper Hub	2
21396	FT Slipper Pads	2
21397	FT Slipper Shaft	1
23198	FT Slipper Shaft Spacer	1
21399	FT Slipper Spring	1
25204	M3x16mm FHPS	20
25392	FT 3mm Locknuts, blue	10

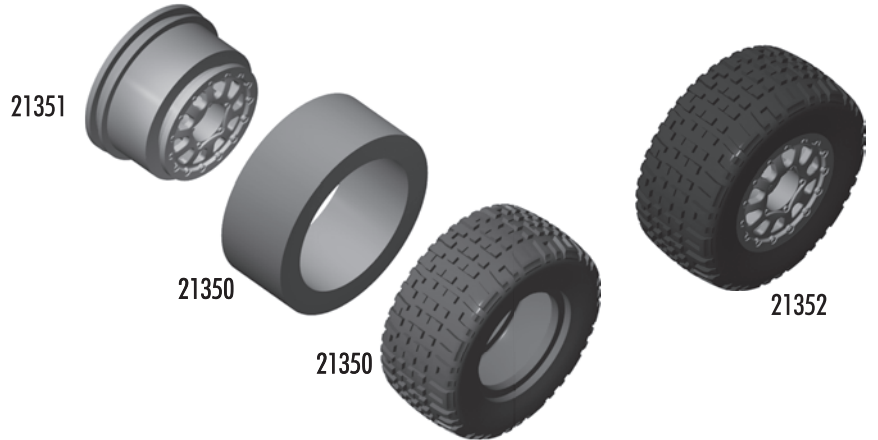


:: Pinion

21152	RC18 10T Pinion w/set screw	1
21153	RC18 12T Pinion w/set screw	1
21154	RC18 13T Pinion w/set screw - Kit	1
21155	RC18 14T Pinion w/set screw	1
21156	RC18 15T Pinion w/set screw	1
21157	RC18 11T Pinion w/set screw	1
21158	RC18 16T Pinion w/set screw	1
21159	RC18 17T Pinion w/set screw	1
21160	RC18 18T Pinion w/set screw	1

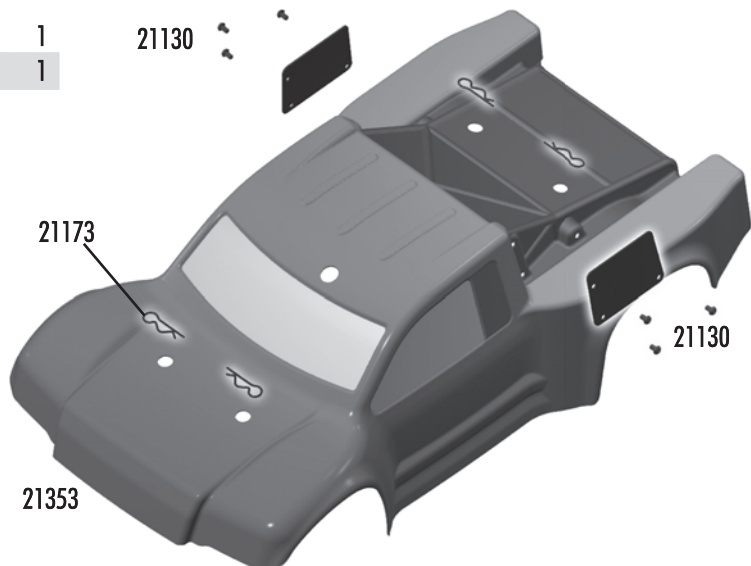
:: Wheels / Tires

21350	SC18 Tire / Insert	Pr.
21351	SC18 Wheel	Pr.
21352	SC18 Wheel / Tire "mounted"	Pr.



:: Body / Decals

21130	M2x3mm BHPS	20	21368	SC18 Body, AE	1
21173	18T Body Clips	12	21369	SC18 Decal Sheet, AE	1
21344	SC18/Number Decals	1			
21353	SC18 Body, Clear	1			
21354	SC18 Body RTR, Blue	1			
21355	SC18 Body RTR, Silver	1			
21356	SC18 Body RTR, Black	1			
21357	SC18 RTR Decal Sheet	1			
21358	SC18 Body, Lucas Oil	1			
21359	SC18 Decal Sheet, Lucas Oil	1			
21360	SC18 Body, Pro Comp	1			
21361	SC18 Decal Sheet, Pro Comp	1			
21364	SC18 Body, KMC	1			
21365	SC18 Decal Sheet, KMC	1			
21366	SC18 Body, Bully Dog	1			
21367	SC18 Decal Sheet, Bully Dog	1			



:: Factory Team Options

1736	FT Body Clips, blue short	6
21214	FT Front Threaded Shock Bodies & Collars	Pr.
21216	FT Front Threaded Shock Kit, with Collars	Pr.
21223	FT Steering Blocks, blue aluminum	Pr.
21224	FT Hub Carriers, blue aluminum	Pr.
21225	FT Caster Blocks, blue aluminum	Pr.
21231	MIP CVD Rebuild Kit	Set
21232	FT CVD Axle Pins	4
21241	FT Ballstuds, blue aluminum (Two 8mm and Nine 5mm)	Set
21243	FT Blue Outdrive Sleeves	4
21330	Bearing Set	Set
21380	MIP CVD Assemblies (SC18 / 18R)	Pr.
21381	Complete Ball Diff Kit, Front	Set
21382	Diff Rebuild Kit	Set
21383	Carbide Diff Balls	10
21384	Ball Diff Pulley, Front	1
21385	FT Anti-Roll Bar Link	4
21386	FT Anti-Roll Bar Set	Set
21387	FT Ballcups	12
21388	FT Spur Gear Bearing Caps	1
21389	FT Battery Retainer	1
21390	FT Pistons (4x 3 slot, 4x 4 slot pistons)	8
21391	FT Anti-Roll Bar Pivot	4
21392	FT Motor Mount	1
21393	FT RR Bulkhead	1
21394	FT FR Bulkhead	1
21395	FT Slipper Hub	2
21396	FT Slipper Pads	2
21397	FT Slipper Shaft	1
21398	FT Slipper Shaft Spacer	1
21399	FT Slipper Spring	1
21400	FT Chassis	1
21401	FT Top Plate	1
21402	FT Chassis Conversion Kit	Set
21403	SC18 Titanium Turnbuckle Set	Set
21405	FT Complete Slipper Shaft Assembly	Set
21408	Complete Ball Diff Kit, Rear	Set
21409	Ball Diff Pulley, Rear	1
25392	FT 3mm Locknuts, blue	10
29137	18T XPS ESC Heatsink	1

:: LRP

LRP41552	Pulsar 3 Charger	1
LRP43150	Power Supply 14 Amps	1
LRP45200	LiPo Balancer	1
LRP50240	Vector Micro Brushless 7900kv Motor	1
LRP50250	Vector Micro Brushless 6900kv Motor	1
LRP50260	Vector Micro Brushless 5900kv Motor	1
LRP80481	NEXXT 4X / Vector 7900kv Combo	Set
LRP80482	NEXXT 4X / Vector 6900kv Combo	Set
LRP80483	NEXXT 4X / Vector 5900kv Combo	Set
LRP80810	Quantum Competition 2 Micro ESC	1
LRP86500	NEXXT 4X Micro Brushless ESC	1

:: Electronics

21149	18T 6-Cell Battery	1
21210	Super 370 Motor	1
29128	18T XP C1016 Servo	1
29130	XP TR203A Micro Receiver, for the XP3D AM	1
29136	XPS Micro ESC	1
29155	XP3D Radio & Receiver 27 MHZ (FM)	1
29156	XP3D Radio & Receiver 75 MHZ (FM)	1
29158	XP3D Radio Only	1
29160	27MHZ Module, AM, for the XP3D	1
29161	27MHZ Module, FM, for the XP3D	1
29162	75MHZ Module, FM, for the XP3D	1
29164	Micro RX 3 Ch FM 27MHZ Receiver, for the XP3D	1
29165	Micro RX 3 Ch FM 75MHZ Receiver, for the XP3D	1
29221	XP3-SS 2.4ghz Radio and Receiver	1
29222	XP3-SS 2.4ghz Receiver	1

Go to www.rc10.com for a complete listing of radio crystals!

:: Reedy Motors

290	Stump Puller 19T	1
291	Mini-Mod 17T	1
292	Mini-Mod 19T	1
910	Micro Brushless Motor 5000kv	1
911	Micro Brushless Motor 5500kv	1
912	Micro Brushless Motor 6100kv	1
913	Micro Brushless Motor 7000kv	1
914	Micro Brushless Motor 8000kv	1
915	Micro Brushless Motor 9500kv	1

:: Reedy Electronics

610	Reedy 447-S AC/DC 4-7 Cell NiMH/NiCd Peak Prediction Charger	1
900	Micro Brushless ESC	1
930	Micro Brushless ESC w/5000kv Motor	Set
931	Micro Brushless ESC w/5500kv Motor	Set
932	Micro Brushless ESC w/6100kv Motor	Set
933	Micro Brushless ESC w/7000kv Motor	Set
934	Micro Brushless ESC w/8000kv Motor	Set
935	Micro Brushless ESC w/9500kv Motor	Set

:: Reedy Batteries

302	AA Alkaline 1.5V	4
303	AA 2700mAh NiMH 1.2V Rechargeable	4
618	1600 Series 7.2V NiMH Flat Micro Pack	1
620	Micro Pack 1800mAh 7.4V 20C LiPo	1
621	VMX 1600mAh NiMH 7.2V Flat Micro Pack	1
622	VMX 1600mAh NiMH 7.2V Stick Micro Pack w/TRA	1

:: Reedy Accessories

660	3.5mm plugs (3M, 3F)	1
716	Reedy 09' Decal Set	1
718	LiPo Charging Sack	1
SP35**	Reedy Logo T-Shirt - White (M,L,XL,XXL,XXXL)	1
SP36**	Reedy Logo T-Shirt - Black (M,L,XL,XXL,XXXL)	1
SP417	Factory Team 1/10 Motor Storage Bag	1
SP418	Factory Team 1/10 Car Carrier Bag	1

:: 1/18 Kits and RTR's

20100	RC18T RTR (ready-to-run)	1
20102	FT RC18T Kit	1
20105	RC18B RTR (ready-to-run)	1
20110	RC18MT RTR (ready-to-run)	1
20115	RC18R Kamino RTR (ready-to-run)	1
20116	RC18R Citroen WRC 2005 RTR (ready-to-run)	1
20118	RC18R Niteline RTR (ready-to-run)	1
20120	SC18 RTR (ready-to-run)	1

:: 1/12, 1/10 Kits and RTR's

2033	FT Nitro TC3 Kit	1
2042	Nitro TC3 RTR Plus (ready-to-run)	1
4019	FT 12R5.1 Kit	1
7020	RC10T4 Team Truck Kit	1
7022	FT RC10T4 Team Truck Kit	1
7024	RC10T4RS "Race Spec" RTR (ready-to-run)	1
7026	SC10 Lucas Oil Race Truck RTR (ready-to-run)	1
7027	SC10 2WD Short Course Race Truck Kit	1
7028	SC10 Pro Comp Race Truck RTR (ready-to-run)	1
7029	SC10 Associated/RC10.com Race Truck RTR (ready-to-run)	1
7030	SC10 KMC Wheels Race Truck RTR (ready-to-run)	1
7031	SC10 Bullydog/RC10.com Race Truck RTR (ready-to-run)	1
7032	SC10 Ready Lift RTR (ready-to-run)	1
7080	FT GT2 Nitro Truck Kit	1
7092	GT2 RS Truck Nitro RTR (ready-to-run)	1
8020	FT RC10R5 Kit	1
8021	FT RC10R5-OVAL Kit	1
9034	RC10B4 Buggy Kit	1
9035	FT RC10B4 Buggy Kit	1
9037	RC10B4RS "Race Spec" RTR (ready-to-run)	1
9060	FT B44 4WD Buggy Kit	1
20515	MGT 3.0 Nitro Monster Truck RTR (ready-to-run)	1
30104	FT TC5F Foam Tire Edition 4WD Touring Car Kit	1
30105	FT TC5R Rubber Tire Edition 4WD Touring Car Kit	1
30111	TC4 4WD Touring Car RTR (ready-to-run)	1

:: 1/8 Kits and RTR's

20501	Monster GT 4.60 SE Nitro RTR (ready-to-run)	1
20502	MGT 8.0 Nitro RTR (ready-to-run)	1
20503	Limited Edition MGT 4.60 Nitro RTR, with flag body (ready-to-run)	1
20504	Limited Edition MGT 8.0 Nitro RTR, with flag body (ready-to-run)	1
80901	RC8e 4WD Electric Buggy Kit	1
80902	FT RC8B Nitro Buggy Kit	1
80905	RC8RS "Race Spec" Nitro Buggy RTR (ready-to-run)	1
80911	RC8Te 4WD Electric Tuggy Kit	1
80912	RC8T Championship Edition	1
80915	RC8T-RS "Race Spec" Nitro Truggy RTR (ready-to-run)	1
80920	SC8 Short Course Race Truck, Red Bull Nitro RTR (ready-to-run)	1
80921	SC8 Short Course Race Truck, Lucas Oil Nitro RTR (ready-to-run)	1
80922	SC8 Short Course Race Truck, KMC Wheels Nitro RTR (ready-to-run)	1
80923	SC8 Short Course Race Truck, Bully Dog Nitro RTR (ready-to-run)	1
80924	SC8 Short Course Race Truck, AE Team Nitro RTR (ready-to-run)	1
80925	SC8 Short Course Race Truck, Pro Comp Nitro RTR (ready-to-run)	1
80931	SC8e 4WD Electric Short Course Race Truck, Kit	1

:: Tools

1110	Turnbuckle Wrench	1
1111	FT Turnbuckle Wrench	1
1449	Offroad Ride Height Gauge	1
1450	FT Ride Height Gauge	1
1541	FT Hex Driver Set (7 pcs)	Set
1542	FT .050" Silver Hex Driver	1
1543	FT 1/16" Black Hex Driver	1
1544	FT 1.5mm Purple Hex Driver	1
1545	FT 5/64" Blue Hex Driver	1
1546	FT 3/32" Gold Hex Driver	1
1547	FT 2.5mm Green Hex Driver	1
1548	FT 3mm Red Hex Driver	1
1551	FT Screwdriver Set	1
1553	FT Phillips Silver Screwdriver	1
1554	FT Silver Spring Hook Tool	1
1561	Full Set of 6 FT Nut Drivers	Set
1562	FT 3/16" Black Nut Driver	1
1563	FT 1/4" Red Nut Driver	1
1564	FT 5.5mm Red Nut Driver	1
1565	FT 11/32" Green Nut Driver	1
1566	FT 7.7mm Silver Nut Driver	1
1567	FT 8mm Gold Nut Driver	1
1589	FT 5/64" Blue Ball Hex Driver	1
1590	FT 3/32" Gold Ball Hex Driver	1
1592	Full Set of 3 Ball Hex Drivers	Set
1719	FT Camber + Track Width Tool	1
1737	FT Body Scissors	1
3718	12 Inch Nylon Wire Ties	12
3719	6 Inch Nylon Wire Ties	12
3720	8 Inch Nylon Wire Ties	12
3987	FT Droop Gauge	1
6429	Shock Building Tool	1
6956	Molded Tools	Set
7709	4 Inch Nylon Wire Ties	12



Check out www.TeamAssociated.com - www.RC10.com for the latest kits, RTRs, and option parts for your SC18 and other Associated vehicles!

:: Apparel

SP35**	Reedy 09' White T-Shirt (M, L, XL, XXL, XXXL)	1
SP36**	Reedy 09' Black T-Shirt (M, L, XL, XXL, XXXL)	1
SP58**	AE Logo Black T-Shirt (M, L, XL, XXL)	1
SP59**	AE Logo Blue T-Shirt (M, L, XL, XXL)	1
SP60**	AE Hooded Sweatshirt (S, M, L, XL, XXL)	1
SP102	1/10 Inner and Outer Boxes Only	Set
SP103	1/10 Inner Boxes Only	Pr.
SP410**	AE Hats Black (S-M, L-XL, XXL-XXXL)	1
SP416	1/10 Car Carrier Bag Only	1
SP417	1/10 FT Motor Bag	1
SP418	1/10 FT Car Carrier Bag with Boxes	Set
SP420**	AE Pit Gloves (M, L, XL)	Pr.
715	Reedy 2009 Track Banner	1
110684	Team Associated Track Banner	1

** Use part number plus the desired size when ordering!

:: Gearing / Maintenance

Motor Gearing:

Proper motor gearing will result in maximum performance and run time while reducing the chance of overheating and premature motor failure. The gear ratio chart lists recommended starting gear ratios "only" for the most widely used motor types. Gear ratios will vary depending upon track conditions, driving style, and personal preference. Generally, you should not increase the pinion gear size more than one tooth greater than the starting size.

SC18 Gear Ratio Chart

Part#	Model	Battery	Pinion	Spur	Final Drive Ratio	Rollout (mm)
910	5000kV	7.2V - 7.4V	14	60	8.57	18.32
911	5500kV	7.2V - 7.4V	14	60	8.57	18.32
912	6100kV	7.2V - 7.4V	13	60	9.23	17.01
913	7000kV	7.2V - 7.4V	12	60	10.00	15.70
914	8000kV	7.2V - 7.4V	11	60	10.90	14.40
915	9500kV	7.2V - 7.4V	10	60	12.00	13.08
21210	Super 370	7.2V - 7.4V	13	60	9.23	17.01
290	SP 19	7.2V - 7.4V	13	60	9.23	17.01
291	Mini-Mod 17	7.2V - 7.4V	10	60	12.00	13.08
292	Mini-Mod 19	7.2V - 7.4V	12	60	10.00	15.70

Formulas:

Internal Ratio = 2.0:1

$$\text{Final Drive Ratio} = \frac{\text{Spur} \times \text{Internal Ratio}}{\text{Pinion}}$$

SC18 Tire Diameter (mm) = 50

$$\text{Rollout (mm)} = \frac{3.14 \times \text{Tire Diameter (mm)}}{\text{Final Drive Ratio}}$$

Warning: The use of motors over 5000kV and and/or batteries over 7.4V may require the installation of Factory Team ball diff kits (front and rear) and a Factory Team Slipper Shaft Assembly. These parts are race tested for strength and durability and are capable of handling the power output of high kV brushless motors and 11.1V LiPo batteries.

Set The Gear Mesh

You should be able to rock the spur gear back and forth in the teeth of the pinion gear without making the pinion gear move. If the spur gear mesh is tight, then loosen the screws and move the motor away, then try again. A gear mesh that is too tight or too loose will reduce power and damage the gear teeth.

MAINTENANCE

Check For Fit

Periodically check all moving suspension parts. Suspension components must be kept clean and move freely without binding to prevent poor and/or inconsistent handling.

Brushed Motor Maintenance - Closed Endbell (Kit motor)

Brush off any dirt and debris from motor. Oil the bushings.

Brushed Motor Maintenance - Open Endbell

Brushed motors require frequent maintenance to keep performance levels at their maximum. Between runs and after letting the motor cool completely, inspect the brushes to ensure that they are moving freely in their holders. Remove the springs and slide the brushes in and out of their holders checking for any resistance or rough spots. If found, remove the brush and carefully wipe it clean. Removing buildup will allow the brush to slide freely and create maximum contact with the commutator resulting in maximum power output.

After every 3-5 runs, remove the brushes from their holders and inspect the tips for wear or burning. If there is noticeable wear (less than 75% of the brush remaining), replace the brush with a new pair. If the tips become a burned blue color, the lubricant in the brush has been burned away and new brushes should be installed.




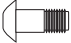




Occasionally, the motor should be cleaned with a soft brush to prevent dirt build up around the brush hood area and ball bearings. At this time, it is a good idea to add one drop of bushing/bearing oil to each bushing or ball bearing.

Brushless Motor Maintenance

If using a brushless motor, please refer to the motor manufacturer's guidelines for proper maintenance.

:: Hardware - 1:1






button head (bhps)

	M2x3mm (21130)
	M2x9mm (21132)
	M2x12mm (21336)
	M2.5x3mm (21131)
	M2.5x6mm (21133)
	M2.5x9mm (21134)
	M3x5mm (21129)
	M3x8mm (25180)

locknut

	M3 locknut (25215)
--	--------------------

flat head (fhps)

	M2x6mm (21334)
	M2x8mm (25196)
	M2x12mm (21135)
	M2.5x6mm (21333)
	M3x16mm (25204)

shims

	.324x.409x.005 (21141)
---	------------------------




setscrews

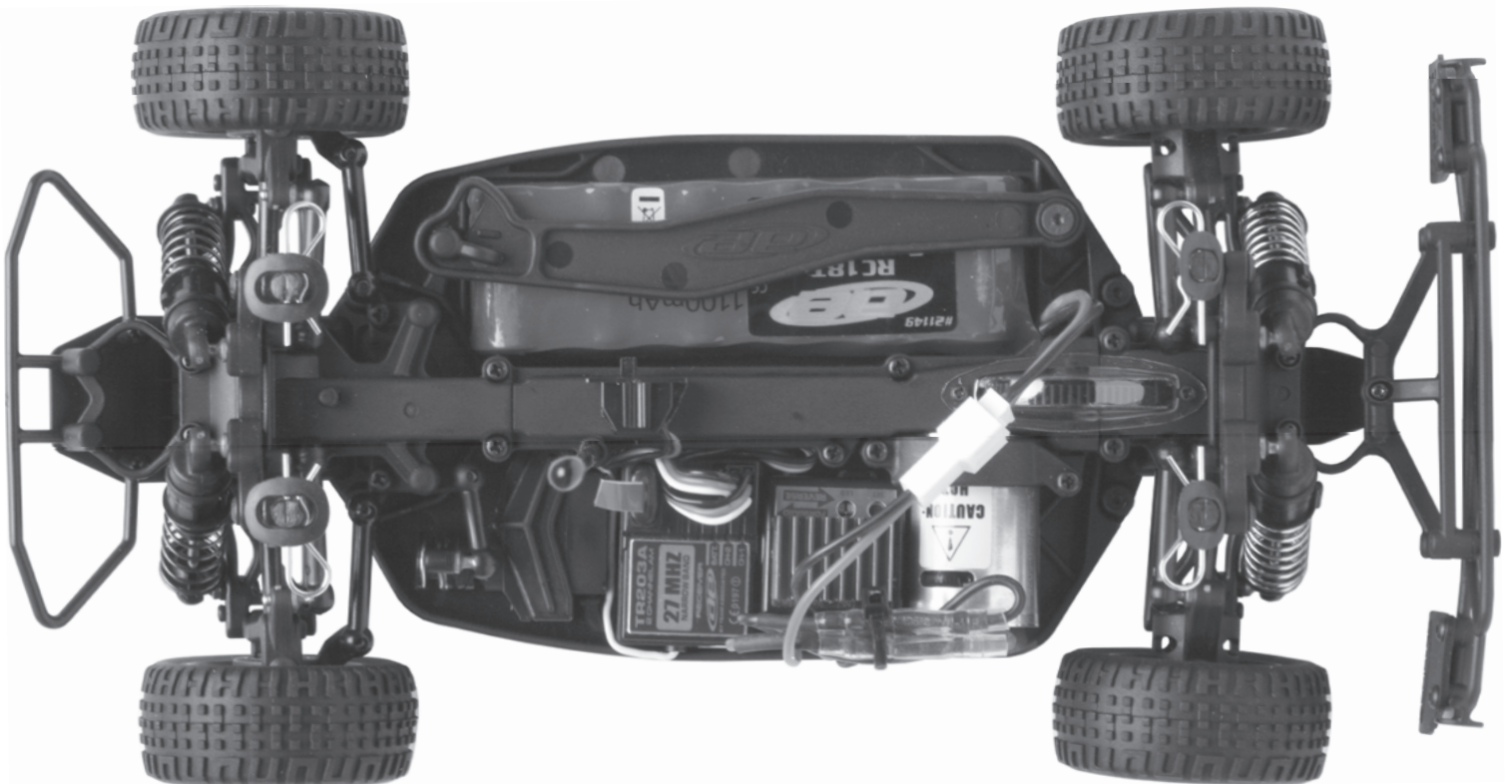
	M3x2.5mm (31500)
	M3x16mm (4689)

ballstuds

	5mm (21082)
	8mm (21082)

ball bearings

	3x6x2.5mm (21337)
	4x8x3mm (21105)
	8x12x3.5mm (21106)



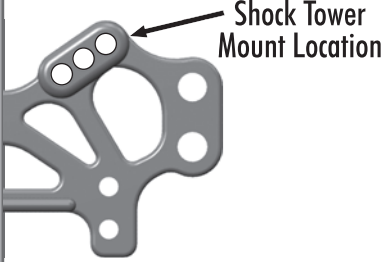
SC18

SHORT COURSE

For more setups and setup sheets, click here:
www.RC10.com • www.TeamAssociated.com

Driver: _____ Date: _____
 Track: _____ Indoor Outdoor
 Event: _____
 Conditions: _____
 Additional Comments: _____

Front Suspension



Upright

Ballstud: Short Long

Ballstud Washers: _____

Steering Block:

Plastic
 Aluminum

Caster Block:

Plastic
 Aluminum



Shocks



Piston: _____ Oil: _____ wt

Spring: _____ Limiters: _____

Ride Height: _____ mm

Shock Body: Plastic Threaded Aluminum

Anti-Roll Bar

0.75mm

1.0mm

Alignment

Camber: _____°

Inner Camber Shims: _____

Toe: _____°

Differential

Gear Diff

Ball Diff Setting: _____

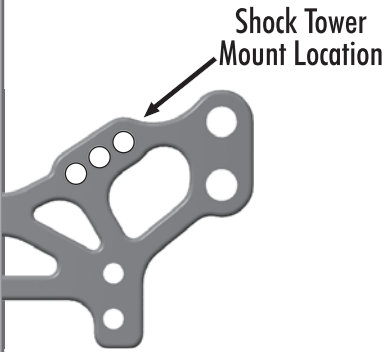
Drivebones

Plastic Dogbones

MIP CVD's

Notes: _____

Rear Suspension



Upright

Hub Carrier:

Plastic
 Aluminum



Anti-Squat

Standard - 0°

Optional - 3.5°



Shocks



Piston: _____ Oil: _____ wt

Spring: _____ Limiters: _____

Ride Height: _____ mm

Shock Body: Plastic Threaded Aluminum

Anti-Roll Bar

0.75mm

1.0mm

Alignment

Camber: _____°

Inner Camber Shims: _____

Differential

Gear Diff

Ball Diff Setting: _____

Drivebones

Plastic Dogbones

MIP CVD's

Notes: _____

Body & Wing

Body: _____

Notes: _____

Tires

Front

Type: _____

Insert: _____

Wheel: _____

Traction Compound: _____

Notes: _____

Rear

Type: _____

Insert: _____

Wheel: _____

Electronics

Motor: _____ Gear: _____ t/ _____ t

Motor Brush: _____ Motor Spring: _____

Motor Timing: _____

Battery: _____ Position: Fwd Back

ESC: _____ Mode: _____

Drag Brake: _____ Initial Brake: _____

Race Comments

Main: _____ Qualifying Position: _____ Finish: _____

Notes: _____

Car Comments

Notes: _____



Associated Electrics, Inc.

26021 Commercentre Dr.

Lake Forest, CA 92630 USA

<http://www.TeamAssociated.com>

<http://www.RC10.com>

[http://twitter/Team Associated](http://twitter/TeamAssociated)

<http://bit.ly/AEonFacebook>

call: (949) 544-7500 - fax: (949) 544-7501

***Check out the following web sites for all of our kits,
current products, new releases, setup help, tips, and racing info!***

www.TeamAssociated.com. - www.RC10.com